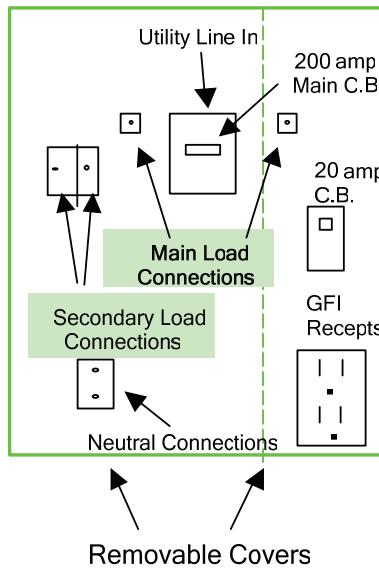




UTILITY SUPPLIED PEDESTAL MOUNTED UNDERGROUND METER ASSEMBLY, RESIDENTIAL, 200 AMP RATED

Customer Connection Detail

CAUTION : DO NOT modify internal components



Utility Supplied 200 amp Underground Meter Assembly with 200 amp Disconnect and 20 amp GFI Receptacle

--CAUTION--
Utility Wires Anchored to Connection Points on Backside. DO NOT drill through this housing.

Finished Grade

1'-6"

Insulated Bushing(s)

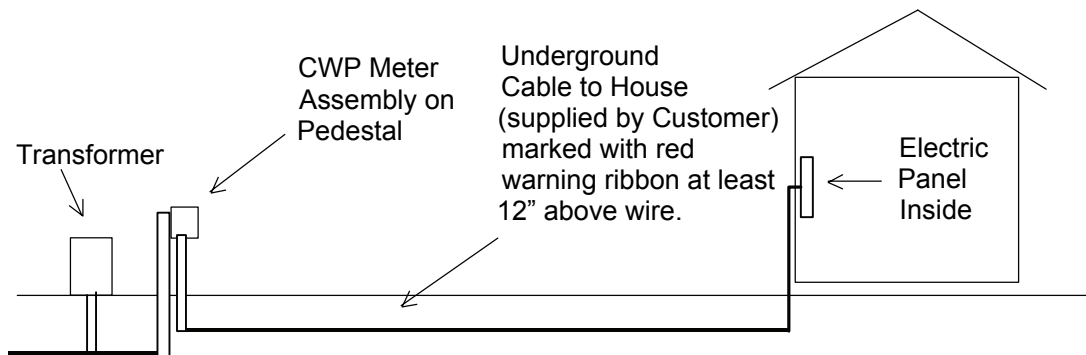
2" PVC Conduit Schedule 80 (for 200 amp rated wiring) to Customer's Service(s)

Notes:

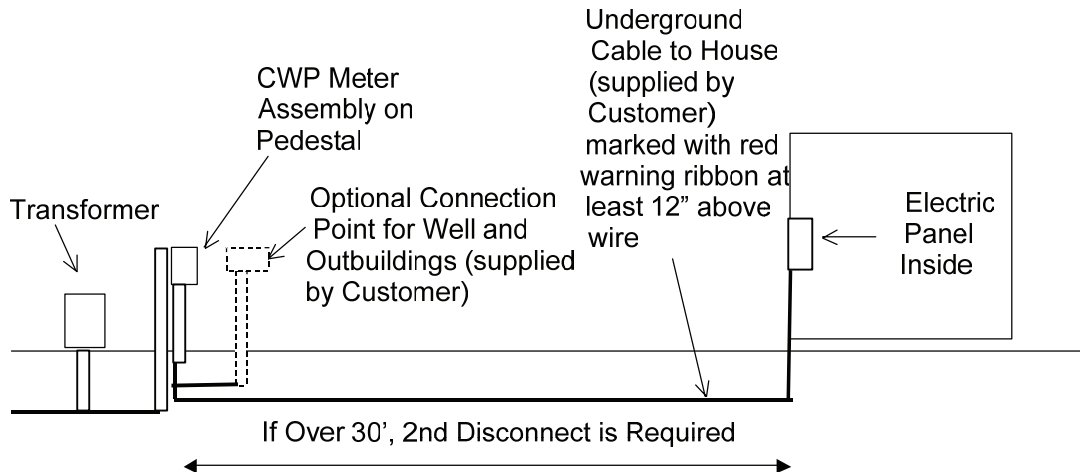
Crow Wing Power retains ownership of Utility supplied meter assembly. **DO NOT modify any internal components.** There is a \$300 Meter Entrance Charge for this assembly
All Customer connections and/or services attached to the CWP meter assembly must be approved by the Minnesota State Board of Electricity.
Consult with the State Wiring Inspector BEFORE hooking up to a Manufactured or Mobile Home. Their web-site is: <http://www.electricity.state.mn.us/>

TYPICAL APPLICATIONS

Underground Service to "Stick-Built" House



Underground Service to "Manufactured Home"



- Customer supplied wiring from the load side of the meter equipment must be sized in accordance with the National Electric Code.
- Wire size of a residential single phase dwelling service can be sized using the table notes for Article 310:15 (B)(6).
- Any secondary residential type service for heating or air conditioning (continuous duty service) are not subject to derating and must be sized from table 310:16. This is for both direct and subtractive metering.
- Red warning ribbon is placed at least 12" above underground wiring.