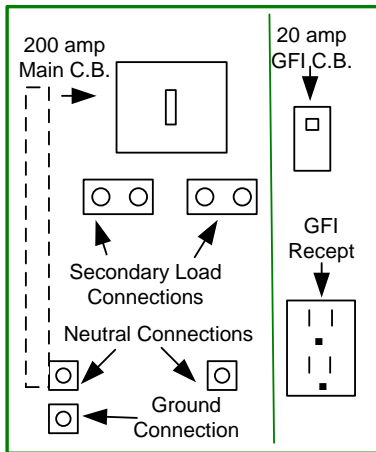




**UTILITY SUPPLIED PEDESTAL MOUNTED
UNDERGROUND METER ASSEMBLY,
RESIDENTIAL, 200 AMP RATED**
--To Be Used for ALL New Electric Services--

Customer Connection Detail

CAUTION : DO NOT modify internal components



Behind Removable Cover

Finished Grade

1'-6"

Insulated Bushing(s) or similar protection

Customer Supplied 2" PVC Conduit Schedule 80 (for 200 amp rated wiring) to Their Service(s)

Utility Supplied 200 amp Underground Meter Assembly with 200 amp Disconnect and 20 amp GFI Receptacle

Swing Up, Lockable Access Cover

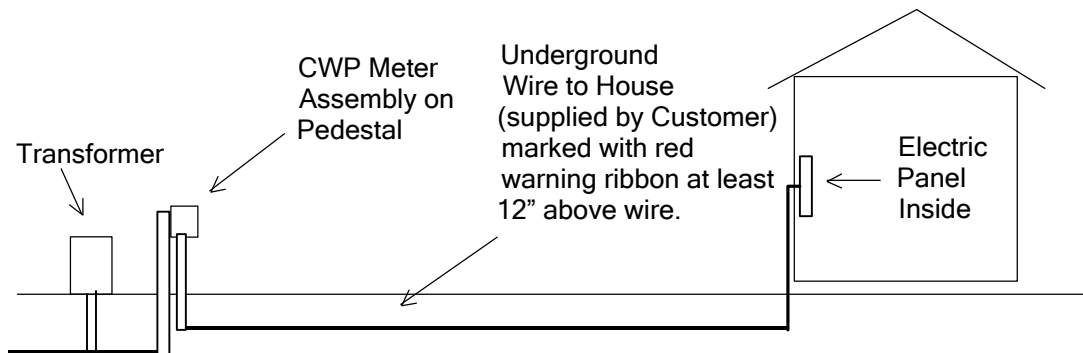
--CAUTION--
Utility Wires Anchored to Connection Points on Backside. DO NOT drill through this housing.

Notes:

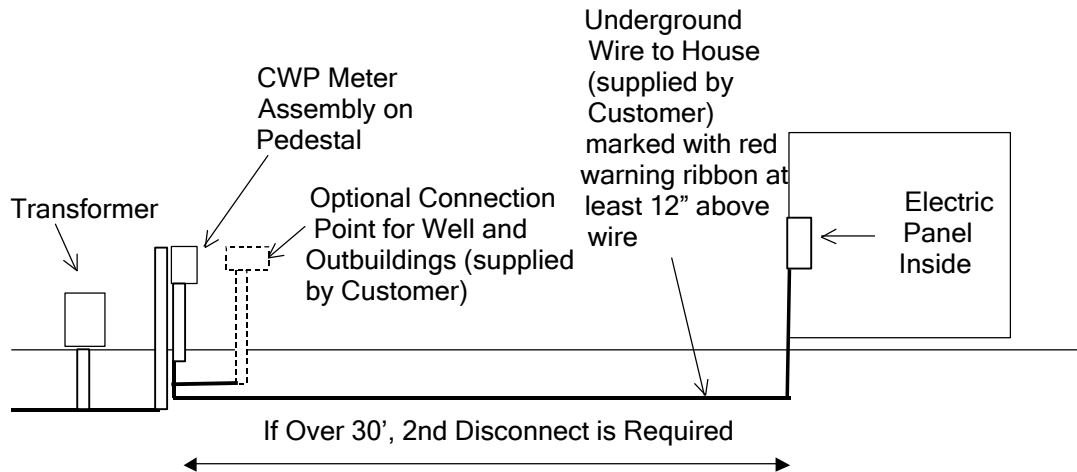
Crow Wing Power retains ownership of Utility supplied meter assembly. **DO NOT modify any internal components.** There is a \$550 Meter Entrance Charge for this assembly
All Customer connections and/or services attached to the CWP meter assembly must be approved by the Minnesota State Board of Electricity.
Consult with the State Wiring Inspector BEFORE hooking up to a Manufactured or Mobile Home. Their web-site is: <http://www.dli.mn.gov>

TYPICAL APPLICATIONS

Underground Service to "Stick - Built" House



Underground Service to "Manufactured Home"



- **PLEASE NOTE:** To be used for ALL new Underground Electric Services.
- Customer supplied wiring from the load side of the meter equipment must be sized in accordance with the National Electric Code.
- Wire size of a residential single phase dwelling service can be sized using the table notes for Article 310:15 (B)(6). This includes a separate, dedicated ground wire.
- Any secondary residential type services for heating or air conditioning (continuous duty service) are not subject to derating and must be sized from table 310:16. This is for both direct and subtractive metering.
- Red warning ribbon is placed at least 12" above underground wiring.